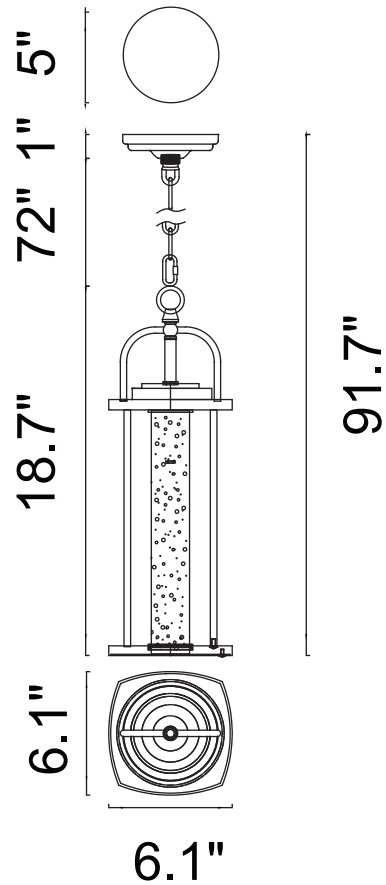




PROJECT: \_\_\_\_\_  
 FIXTURE TYPE: \_\_\_\_\_  
 LOCATION: \_\_\_\_\_  
 CONTACT/PHONE: \_\_\_\_\_



Item	0407P6-1-101
Collection	GREENWOOD
Category	Outdoor Hanging Light
Finish	Black
Glass	Clear
Crystal	-----
Acrylic	-----
Frame Material	Aluminium

Shade Color	-----
Min Assembled Height	19.7"
Max Assembled Height	91.7"
Width	6.1"
Length	6.1"
Extension Wall Mounts	-----
Input	120V AC,60HZ,AC
Coastal/Marine Grade	No

Lumens	572
Light Source	Integrated LED
Bulb Info.	11W
Included	Yes
Dimmable	Yes
Colour Temp	3000K
Weight	2.2 Lbs
Title 24 Compliant	No

**CWI Lighting**  
 140 Steelcase Rd W  
 Markham, ON L3R 3J9  
 Canada

**CWI Lighting**  
 295 Fire Tower Dr  
 Tonawanda, NY 14150  
 USA

**Dallas Showroom: #4707**  
 2100 N Stemmons Fwy  
 Dallas, TX 75207  
 USA

**High Point Showroom: #IH108**  
 210 E Commerce Ave  
 High Point, NC 27260  
 USA

