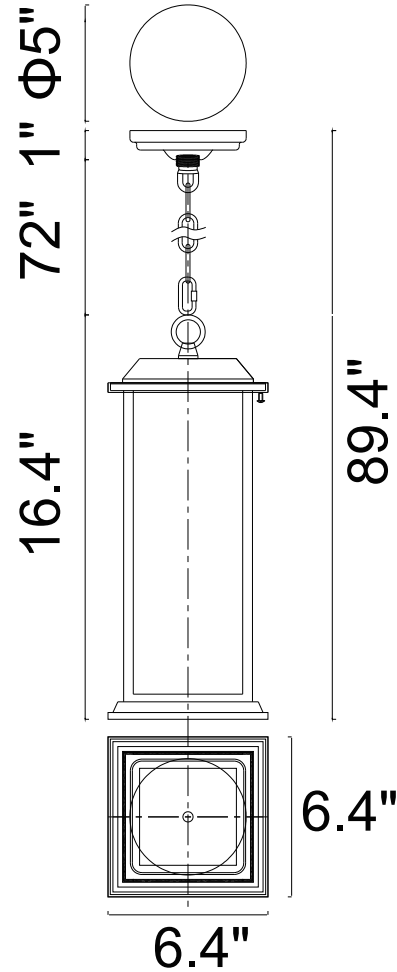




PROJECT: _____
 FIXTURE TYPE: _____
 LOCATION: _____
 CONTACT/PHONE: _____



| | | | | | |
|----------------|-----------------------|-----------------------|-----------------|--------------------|----------|
| Item | 0409P6-1-101 | Shade Color | ----- | Lumens | ----- |
| Collection | BLACKBRIDGE | Min Assembled Height | 17.4" | Light Source | E26 |
| Category | Outdoor Hanging Light | Max Assembled Height | 89.4" | Bulb Info. | 1×60W |
| Finish | Black | Width | 6.4" | Included | ----- |
| Glass | Clear | Length | 6.4" | Dimmable | Yes |
| Crystal | ----- | Extension Wall Mounts | ----- | Colour Temp | ----- |
| Acrylic | ----- | Input | 120V AC,60HZ,AC | Weight | 7.20 Lbs |
| Frame Material | Aluminium | Coastal/Marine Grade | No | Title 24 Compliant | No |

CWI Lighting
 140 Steelcase Rd W
 Markham, ON L3R 3J9
 Canada

CWI Lighting
 295 Fire Tower Dr
 Tonawanda, NY 14150
 USA

Dallas Showroom: #4707
 2100 N Stemmons Fwy
 Dallas, TX 75207
 USA

High Point Showroom: #IH108
 210 E Commerce Ave
 High Point, NC 27260
 USA

