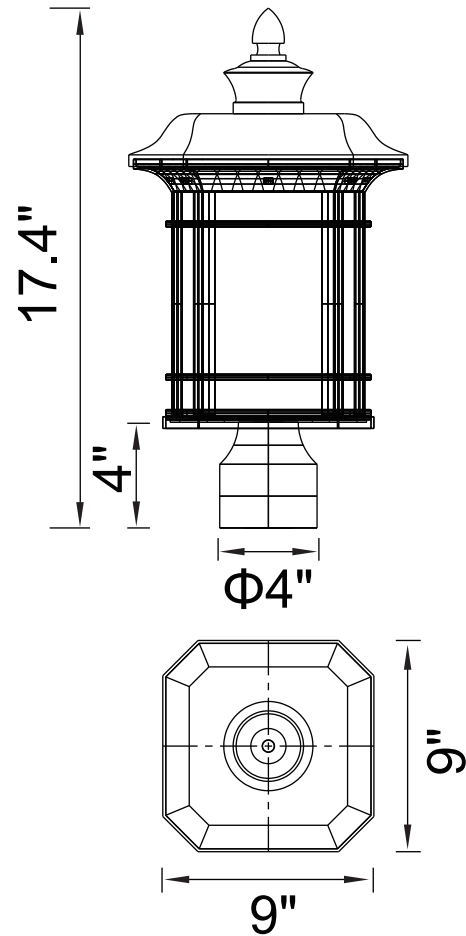




PROJECT: _____
 FIXTURE TYPE: _____
 LOCATION: _____
 CONTACT/PHONE: _____



Item	0411PT9-1-101	Shade Color	-----	Lumens	-----
Collection	BLACKBURN	Min Assembled Height	17.4"	Light Source	E26
Category	Outdoor Lantern Head	Max Assembled Height	-----	Bulb Info.	1×60W
Finish	Black	Width	9.3"	Included	-----
Glass	Seedy	Length	9.3"	Dimmable	Yes
Crystal	-----	Extension Wall Mounts	-----	Colour Temp	-----
Acrylic	-----	Input	120V AC,60HZ,AC	Weight	6.3 Lbs
Frame Material	Aluminium	Coastal/Marine Grade	No	Title 24 Compliant	No

CWI Lighting
 140 Steelcase Rd W
 Markham, ON L3R 3J9
 Canada

CWI Lighting
 295 Fire Tower Dr
 Tonawanda, NY 14150
 USA

Dallas Showroom: #4707
 2100 N Stemmons Fwy
 Dallas, TX 75207
 USA

High Point Showroom: #IH108
 210 E Commerce Ave
 High Point, NC 27260
 USA

