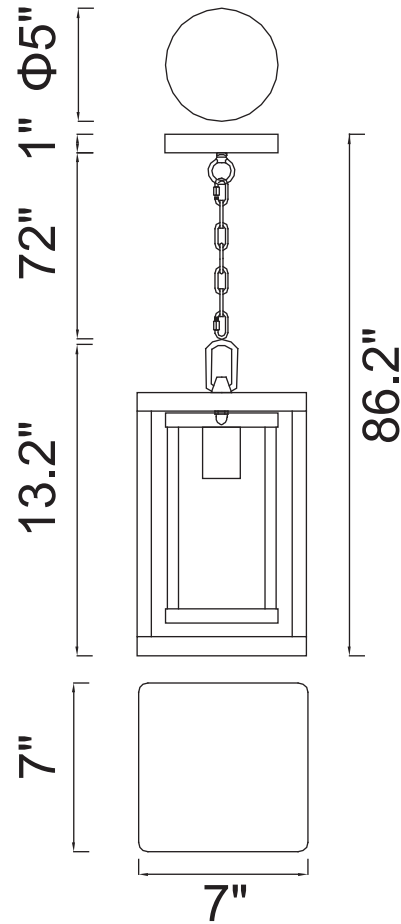




PROJECT: _____
 FIXTURE TYPE: _____
 LOCATION: _____
 CONTACT/PHONE: _____



Item	0415P7-1-101
Collection	MULVANE
Category	Outdoor Hanging Light
Finish	Black
Glass	Clear
Crystal	-----
Acrylic	-----
Frame Material	Aluminium

Shade Color	-----
Min Assembled Height	14.2"
Max Assembled Height	86.2"
Width	7"
Length	7"
Extension Wall Mounts	-----
Input	120V AC,60HZ,AC
Coastal/Marine Grade	No

Lumens	-----
Light Source	E26
Bulb Info.	1×60W
Included	-----
Dimmable	Yes
Colour Temp	-----
Weight	6.3Lbs
Title 24 Compliant	No

CWI Lighting
 140 Steelcase Rd W
 Markham, ON L3R 3J9
 Canada

CWI Lighting
 295 Fire Tower Dr
 Tonawanda, NY 14150
 USA

Dallas Showroom: #4707
 2100 N Stemmons Fwy
 Dallas, TX 75207
 USA

High Point Showroom: #IH108
 210 E Commerce Ave
 High Point, NC 27260
 USA

