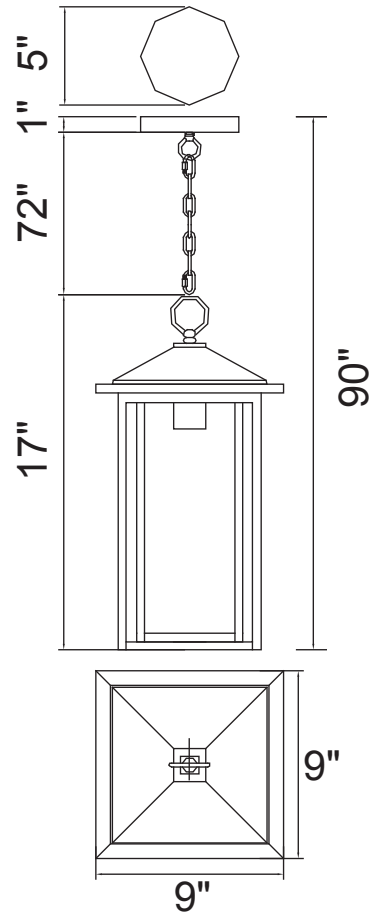




PROJECT: \_\_\_\_\_  
 FIXTURE TYPE: \_\_\_\_\_  
 LOCATION: \_\_\_\_\_  
 CONTACT/PHONE: \_\_\_\_\_



Item	0417P9-1-101	Shade Color	-----	Lumens	-----
Collection	CRAWFORD	Min Assembled Height	18"	Light Source	E26
Category	Outdoor Hanging Light	Max Assembled Height	90"	Bulb Info.	1×60W
Finish	Black	Width	9"	Included	-----
Glass	Clear	Length	9"	Dimmable	Yes
Crystal	-----	Extension Wall Mounts	-----	Colour Temp	-----
Acrylic	-----	Input	120V AC,60HZ,AC	Weight	8.82 Lbs
Frame Material	Aluminium	Coastal/Marine Grade	No	Title 24 Compliant	No

**CWI Lighting**  
 140 Steelcase Rd W  
 Markham, ON L3R 3J9  
 Canada

**CWI Lighting**  
 295 Fire Tower Dr  
 Tonawanda, NY 14150  
 USA

**Dallas Showroom: #4707**  
 2100 N Stemmons Fwy  
 Dallas, TX 75207  
 USA

**High Point Showroom: #IH108**  
 210 E Commerce Ave  
 High Point, NC 27260  
 USA

