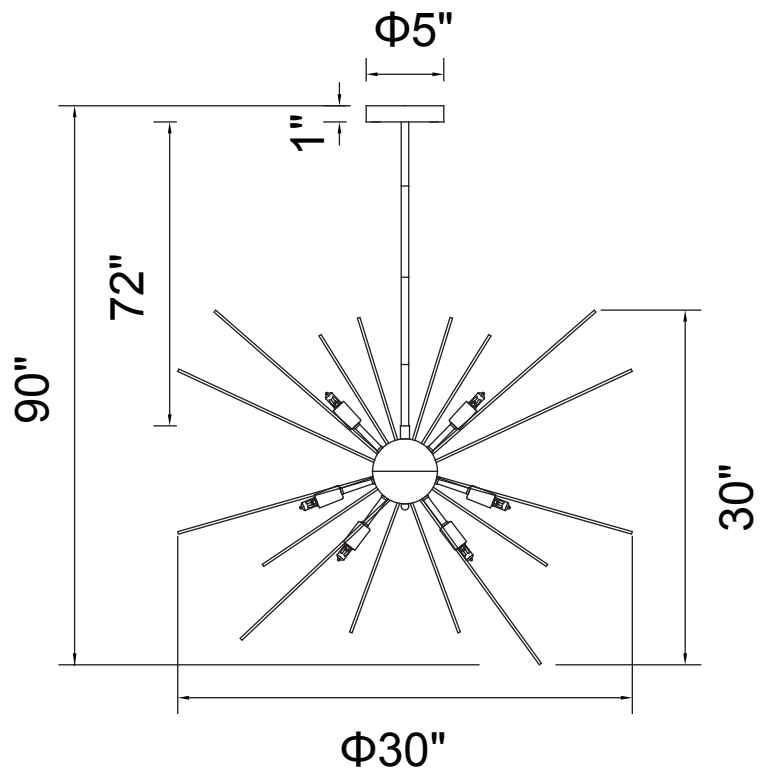




PROJECT: _____
 FIXTURE TYPE: _____
 LOCATION: _____
 CONTACT/PHONE: _____



| | | | | | |
|------------|---------------|-----------------------|-----------------|--------------|-----------|
| Item | 1034P30-9-620 | Shade Color | ----- | Lumens | ----- |
| Collection | SAVANNAH | Min Assembled Height | 43" | Light Source | G9 |
| Category | Chandelier | Max Assembled Height | 103" | Bulb Info. | 9 x 40W |
| Finish | Gold Leaf | Width | 30" | Included | ----- |
| Glass | ----- | Length | ----- | Dimmable | Yes |
| Crystal | ----- | Extension Wall Mounts | ----- | Colour Temp | ----- |
| Acrylic | ----- | Input | 120V AC,60HZ,AC | Weight | 12.13 Lbs |

CWI Lighting
 140 Steelcase Rd W
 Markham, ON L3R 3J9
 Canada

CWI Lighting
 295 Fire Tower Dr
 Tonawanda, NY 14150
 USA

Dallas Showroom: #4707
 2100 N Stemmons Fwy
 Dallas, TX 75207
 USA

High Point Showroom: #IH108
 210 E Commerce Ave
 High Point, NC 27260
 USA

