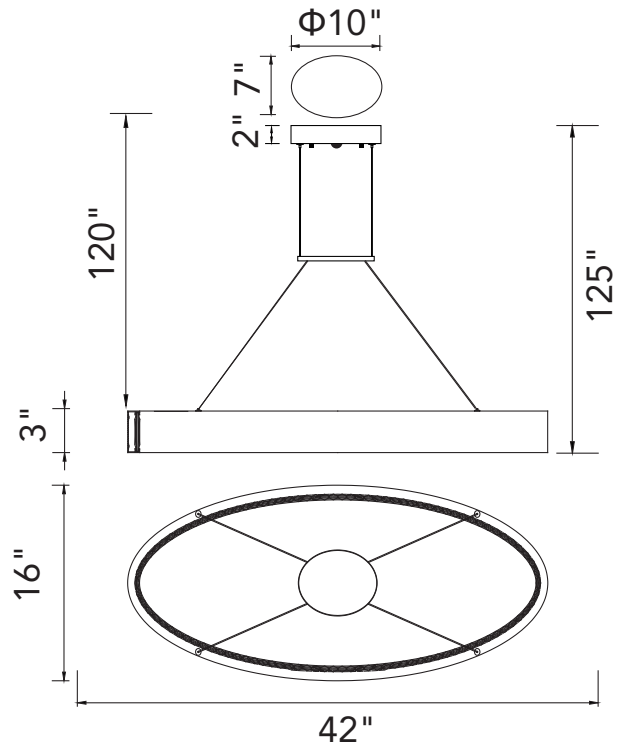




PROJECT: _____
 FIXTURE TYPE: _____
 LOCATION: _____
 CONTACT/PHONE: _____



| | |
|------------|---------------|
| Item | 1040P42-101-O |
| Collection | ROSALINA |
| Category | Chandelier |
| Finish | Matte Black |
| Glass | ----- |
| Crystal | Clear |
| Acrylic | ----- |

| | |
|-----------------------|-----------------|
| Shade Color | ----- |
| Min Assembled Height | 17" |
| Max Assembled Height | 125" |
| Width | 42" |
| Length | 16" |
| Extension Wall Mounts | ----- |
| Input | 120V AC,60HZ,AC |

| | |
|--------------|----------------|
| Lumens | 4160 |
| Light Source | Integrated LED |
| Bulb Info. | 80W |
| Included | Yes |
| Dimmable | Yes |
| Colour Temp | 3000K |
| Weight | 24.91 Lbs |

CWI Lighting
 140 Steelcase Rd W
 Markham, ON L3R 3J9
 Canada

CWI Lighting
 295 Fire Tower Dr
 Tonawanda, NY 14150
 USA

Dallas Showroom: #4707
 2100 N Stemmons Fwy
 Dallas, TX 75207
 USA

High Point Showroom: #IH108
 210 E Commerce Ave
 High Point, NC 27260
 USA

