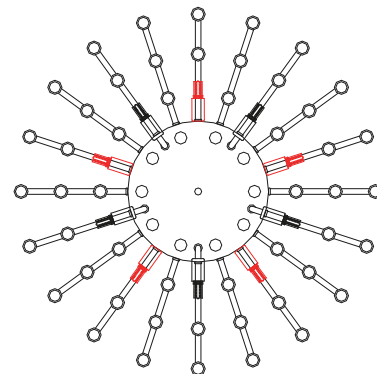
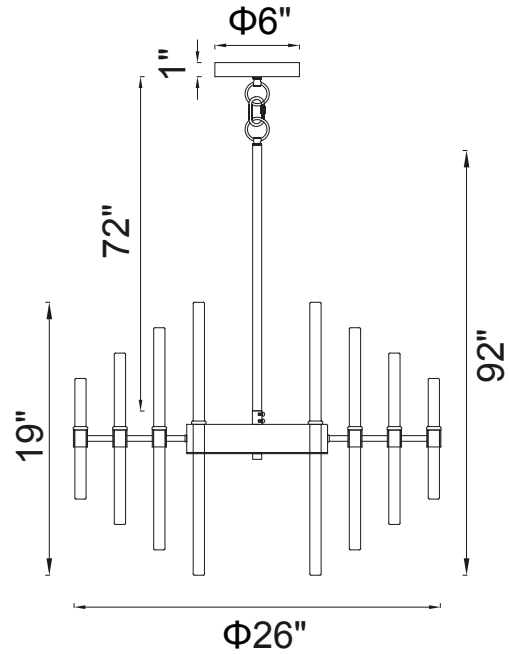




PROJECT: _____
 FIXTURE TYPE: _____
 LOCATION: _____
 CONTACT/PHONE: _____



Item	1137P26-10-613
Collection	MIROIR
Category	Chandelier
Finish	Polished Nickel
Glass	Clear
Crystal	-----
Acrylic	-----

Shade Color	-----
Min Assembled Height	32"
Max Assembled Height	92"
Width	26"
Length	-----
Extension Wall Mounts	-----
Input	120V AC,60HZ,AC

Lumens	-----
Light Source	G9
Bulb Info.	10x40W
Included	-----
Dimmable	Yes
Colour Temp	-----
Weight	49.20 Lbs

CWI Lighting
 140 Steelcase Rd W
 Markham, ON L3R 3J9
 Canada

CWI Lighting
 295 Fire Tower Dr
 Tonawanda, NY 14150
 USA

Dallas Showroom: #4707
 2100 N Stemmons Fwy
 Dallas, TX 75207
 USA

High Point Showroom: #IH108
 210 E Commerce Ave
 High Point, NC 27260
 USA

