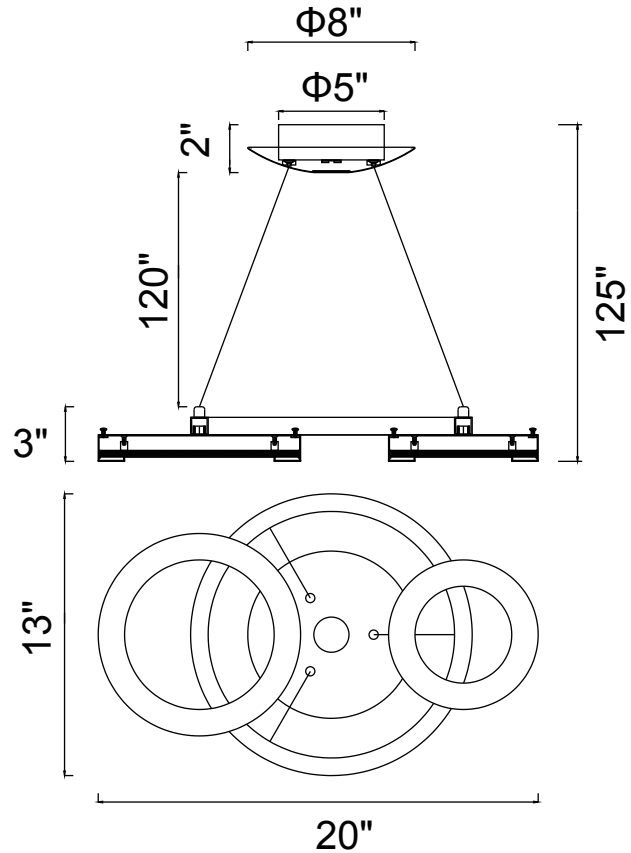




PROJECT: \_\_\_\_\_  
 FIXTURE TYPE: \_\_\_\_\_  
 LOCATION: \_\_\_\_\_  
 CONTACT/PHONE: \_\_\_\_\_



Item	1215P20-2-625
Collection	Deux Lunes
Category	Chandelier
Finish	Sun Gold & Black
Glass	-----
Crystal	-----
Acrylic	Frosted

Shade Color	-----
Min Assembled Height	17"
Max Assembled Height	125"
Width	20"
Length	13"
Extension Wall Mounts	-----
Input	120V AC,60HZ,AC

Lumens	624
Light Source	Integrated LED
Bulb Info.	12W
Included	Yes
Dimmable	Yes
Colour Temp	3000K
Weight	7.72 Lbs

**CWI Lighting**  
 140 Steelcase Rd W  
 Markham, ON L3R 3J9  
 Canada

**CWI Lighting**  
 295 Fire Tower Dr  
 Tonawanda, NY 14150  
 USA

**Dallas Showroom: #4707**  
 2100 N Stemmons Fwy  
 Dallas, TX 75207  
 USA

**High Point Showroom: #IH108**  
 210 E Commerce Ave  
 High Point, NC 27260  
 USA

