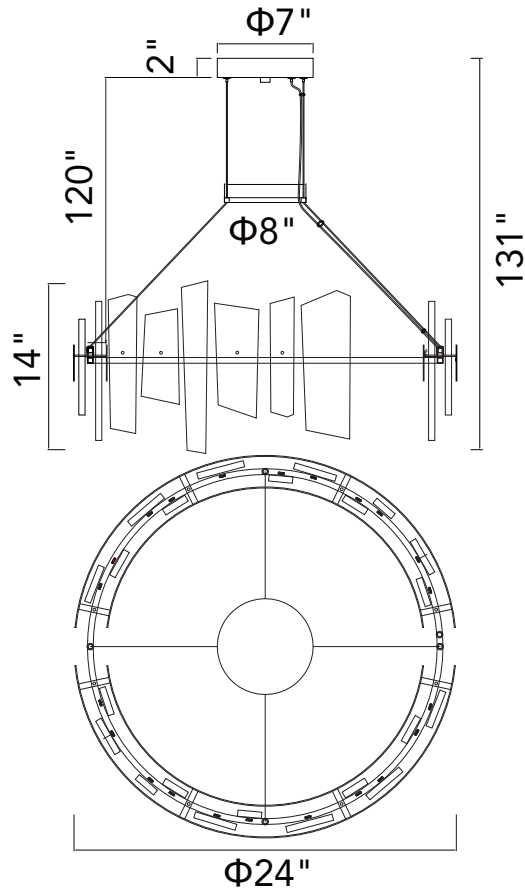




PROJECT: \_\_\_\_\_  
 FIXTURE TYPE: \_\_\_\_\_  
 LOCATION: \_\_\_\_\_  
 CONTACT/PHONE: \_\_\_\_\_



|            |                    |
|------------|--------------------|
| Item       | 1246P24-101-A      |
| Collection | GUADIANA           |
| Category   | Chandelier         |
| Finish     | Black & Satin Gold |
| Glass      | Artisanal Glass    |
| Crystal    | -----              |
| Acrylic    | -----              |

|                       |                 |
|-----------------------|-----------------|
| Shade Color           | -----           |
| Min Assembled Height  | 28"             |
| Max Assembled Height  | 131"            |
| Width                 | 24"             |
| Length                | -----           |
| Extension Wall Mounts | -----           |
| Input                 | 120V AC,60HZ,AC |

|              |                |
|--------------|----------------|
| Lumens       | 1820           |
| Light Source | Integrated LED |
| Bulb Info.   | 35W            |
| Included     | Yes            |
| Dimmable     | Yes            |
| Colour Temp  | 3000           |
| Weight       | 33.07 Lbs      |

**CWI Lighting**  
 140 Steelcase Rd W  
 Markham, ON L3R 3J9  
 Canada

**CWI Lighting**  
 295 Fire Tower Dr  
 Tonawanda, NY 14150  
 USA

**Dallas Showroom: #4707**  
 2100 N Stemmons Fwy  
 Dallas, TX 75207  
 USA

**High Point Showroom: #IH108**  
 210 E Commerce Ave  
 High Point, NC 27260  
 USA

