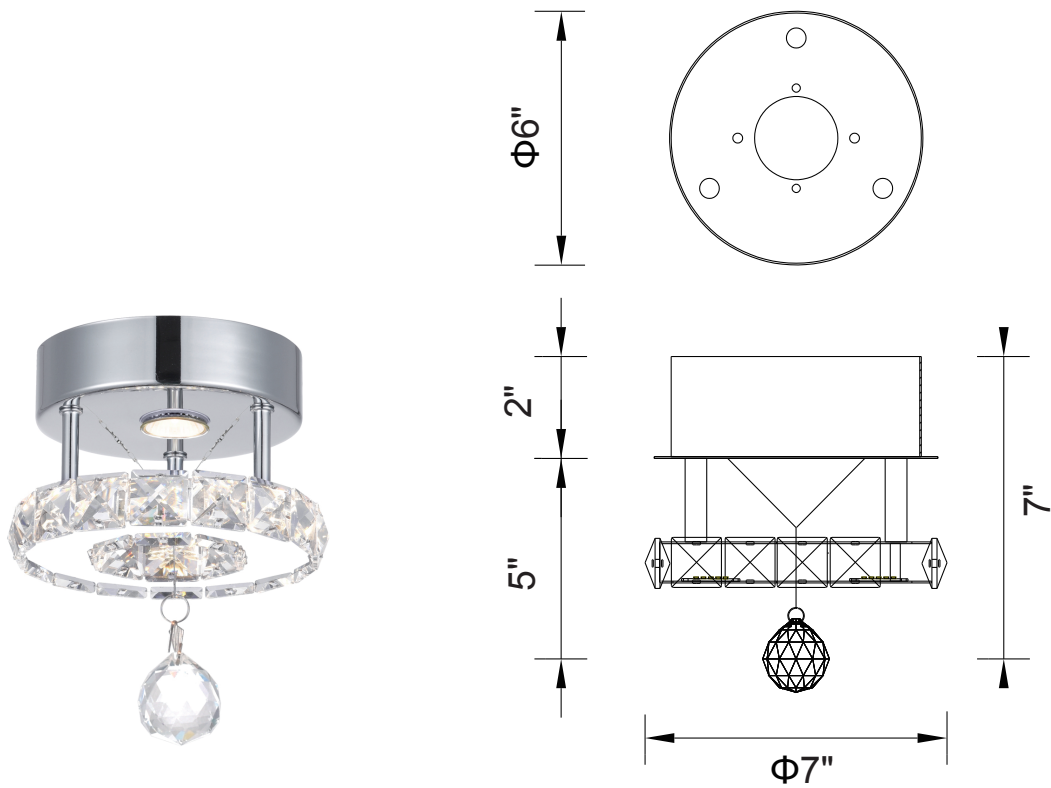




PROJECT: _____
 FIXTURE TYPE: _____
 LOCATION: _____
 CONTACT/PHONE: _____



Item	5080C7ST
Collection	RING
Category	Flush Mount
Finish	Stainless Steel
Glass	-----
Crystal	Clear
Acrylic	-----

Shade Color	-----
Min Assembled Height	7"
Max Assembled Height	-----
Width	7"
Length	-----
Extension Wall Mounts	-----
Input	120V AC,60HZ,AC

Lumens	312
Light Source	GU10 + Integrated LED
Bulb Info.	1x35W + 6W
Included	-----
Dimmable	Yes
Colour Temp	4000K
Weight	4.85 Lbs

CWI Lighting
 140 Steelcase Rd W
 Markham, ON L3R 3J9
 Canada

CWI Lighting
 295 Fire Tower Dr
 Tonawanda, NY 14150
 USA

Dallas Showroom: #4707
 2100 N Stemmons Fwy
 Dallas, TX 75207
 USA

High Point Showroom: #IH108
 210 E Commerce Ave
 High Point, NC 27260
 USA

