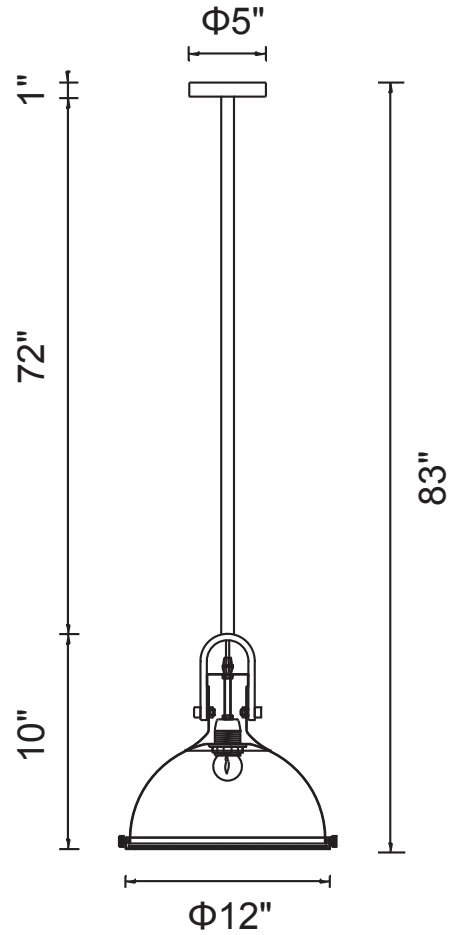




PROJECT: _____
 FIXTURE TYPE: _____
 LOCATION: _____
 CONTACT/PHONE: _____



Item	9760P12-1-101
Collection	STRUM
Category	Pendant
Finish	Black
Glass	Frosted
Crystal	-----
Acrylic	-----

Shade Color	-----
Min Assembled Height	11"
Max Assembled Height	83"
Width	12"
Length	-----
Extension Wall Mounts	-----
Input	120V AC,60HZ,AC

Lumens	-----
Light Source	E26
Bulb Info.	1x60W
Included	-----
Dimmable	Yes
Colour Temp	-----
Weight	7.28 Lbs

CWI Lighting
 140 Steelcase Rd W
 Markham, ON L3R 3J9
 Canada

CWI Lighting
 295 Fire Tower Dr
 Tonawanda, NY 14150
 USA

Dallas Showroom: #4707
 2100 N Stemmons Fwy
 Dallas, TX 75207
 USA

High Point Showroom: #IH108
 210 E Commerce Ave
 High Point, NC 27260
 USA

