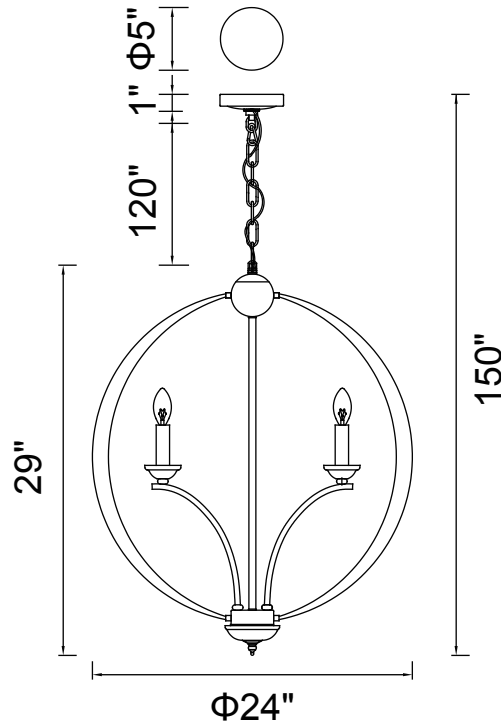


PROJECT: _____

FIXTURE TYPE: _____

LOCATION: _____

CONTACT/PHONE: _____



Item	9825P24-6-101
Collection	DRIFT
Category	Chandelier
Finish	Black
Glass	-----
Crystal	-----
Acrylic	-----

Shade Color	-----
Min Assembled Height	31"
Max Assembled Height	150"
Width	24"
Length	-----
Extension Wall Mounts	-----
Input	120V AC,60HZ,AC

Lumens	-----
Light Source	E12
Bulb Info.	6x60W
Included	-----
Dimmable	Yes
Colour Temp	-----
Weight	15.3 Lbs

CWI Lighting
140 Steelcase Rd W
Markham, ON L3R 3J9
Canada

CWI Lighting
295 Fire Tower Dr
Tonawanda, NY 14150
USA

Dallas Showroom: #4707
2100 N Stemmons Fwy
Dallas, TX 75207
USA

High Point Showroom: #IH108
210 E Commerce Ave
High Point, NC 27260
USA

