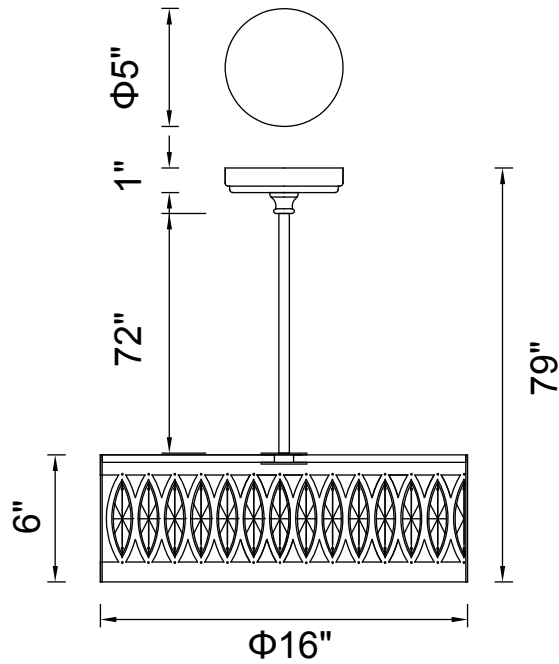




PROJECT: _____
 FIXTURE TYPE: _____
 LOCATION: _____
 CONTACT/PHONE: _____



Item	9906P16-6-208	Shade Color	-----	Lumens	-----
Collection	NOVA	Min Assembled Height	11"	Light Source	G9
Category	Chandelier	Max Assembled Height	79"	Bulb Info.	6x40W
Finish	Champagne	Width	16"	Included	-----
Glass	-----	Length	-----	Dimmable	Yes
Crystal	Clear	Extension Wall Mounts	-----	Colour Temp	-----
Acrylic	-----	Input	120V AC,60HZ,AC	Weight	12.6 Lbs

CWI Lighting
 140 Steelcase Rd W
 Markham, ON L3R 3J9
 Canada

CWI Lighting
 295 Fire Tower Dr
 Tonawanda, NY 14150
 USA

Dallas Showroom: #4707
 2100 N Stemmons Fwy
 Dallas, TX 75207
 USA

High Point Showroom: #IH108
 210 E Commerce Ave
 High Point, NC 27260
 USA

