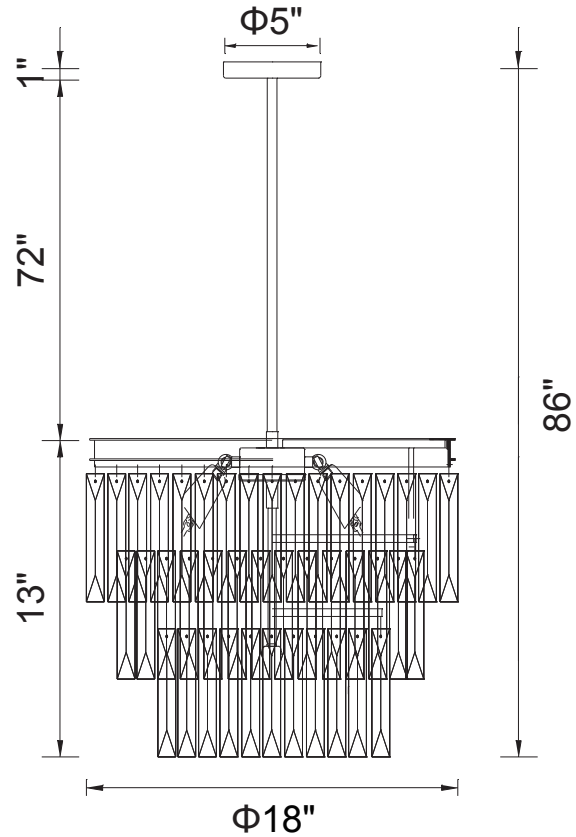




PROJECT: _____
 FIXTURE TYPE: _____
 LOCATION: _____
 CONTACT/PHONE: _____



| | |
|------------|---------------|
| Item | 9969P18-5-601 |
| Collection | WEISS |
| Category | Chandelier |
| Finish | Chrome |
| Glass | ----- |
| Crystal | Clear |
| Acrylic | ----- |

| | |
|-----------------------|-----------------|
| Shade Color | ----- |
| Min Assembled Height | 15" |
| Max Assembled Height | 86" |
| Width | 18" |
| Length | ----- |
| Extension Wall Mounts | ----- |
| Input | 120V AC,60HZ,AC |

| | |
|--------------|----------|
| Lumens | ----- |
| Light Source | E12 |
| Bulb Info. | 5x60W |
| Included | ----- |
| Dimmable | Yes |
| Colour Temp | ----- |
| Weight | 17.1 Lbs |

CWI Lighting
 140 Steelcase Rd W
 Markham, ON L3R 3J9
 Canada

CWI Lighting
 295 Fire Tower Dr
 Tonawanda, NY 14150
 USA

Dallas Showroom: #4707
 2100 N Stemmons Fwy
 Dallas, TX 75207
 USA

High Point Showroom: #IH108
 210 E Commerce Ave
 High Point, NC 27260
 USA

